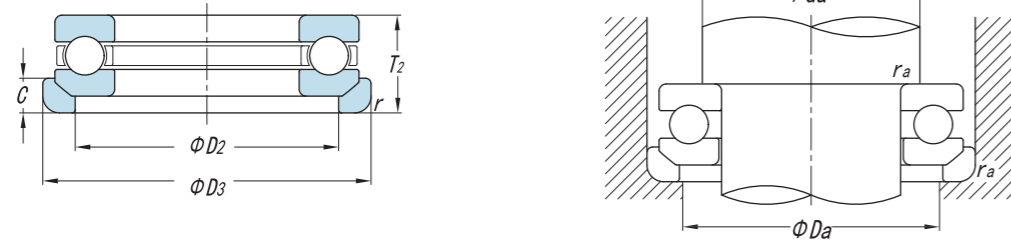
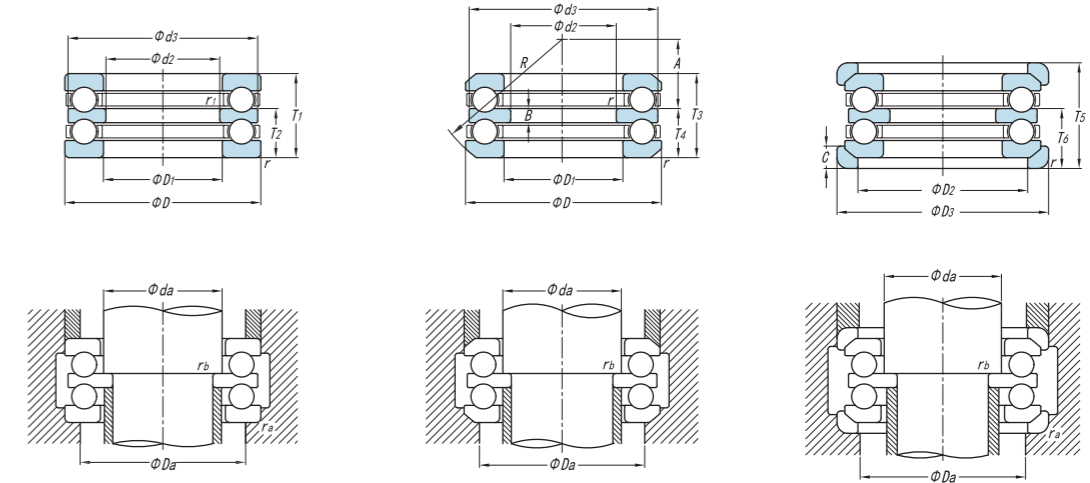


带调心垫圈的推力球轴承 With Aligning Washers Thrust Ball Bearing



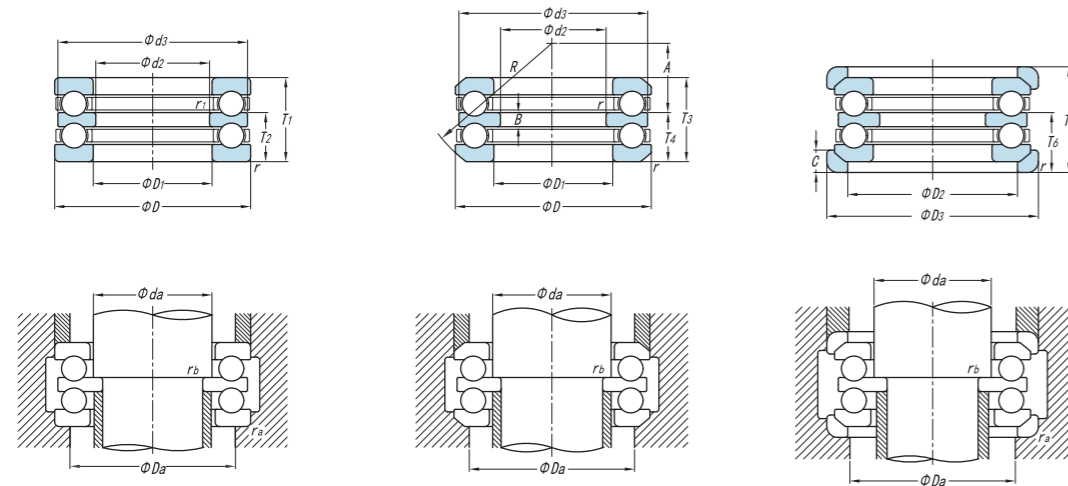
| 基本尺寸 Principal Dimensions (mm) | | | 基本额定负荷 Basic Load Ratings (kN) | | 极限转速 Limit Speed (r/min) | | 其他尺寸 Other Dimensions (mm) | | | | | | | 现代号 New code | 重量 Mass (kg) | | |
|--------------------------------------|-----|------------------|--------------------------------------|-----------------|--------------------------------|------|----------------------------------|-------|-----|-----|----|-----|-----|-----------------|--------------------|-------------|------|
| d | D | r _{min} | C _a | C _{or} | Grease | Oil | d1 | D1 | D2 | D3 | C | H1 | R | S | H | | |
| 110 | 160 | 1.1 | 170 | 1200 | 1200 | 1700 | 160 | 113 | 135 | 165 | 14 | 45 | 125 | 65 | 40.2 | 53222+U222 | 2.84 |
| | 190 | 2 | 305 | 780 | 850 | 1200 | 187 | 113 | 150 | 195 | 20 | 572 | 140 | 51 | 67.2 | 53322+U322 | 9.05 |
| | 190 | 2 | 305 | 780 | 850 | 1200 | 187 | 113 | 150 | 195 | 20 | 572 | 140 | 51 | 67.2 | 53322J+U322 | 8.78 |
| 120 | 170 | 1.1 | 168 | 430 | 1100 | 1600 | 169 | 123 | 145 | 175 | 15 | 46 | 125 | 61 | 40.8 | 53224+U224 | 3.10 |
| | 210 | 2.1 | 320 | 960 | 800 | 1100 | 205 | 123 | 165 | 220 | 22 | 80 | 180 | 63 | 74.1 | 53324+U324 | 12.4 |
| | 210 | 2.1 | 320 | 960 | 800 | 1100 | 205 | 123 | 165 | 220 | 22 | 80 | 180 | 63 | 74.1 | 53324J+U324 | 11.9 |
| 130 | 265 | 4 | 635 | 2010 | 560 | 750 | 265 | 134 | 200 | 280 | 41 | 128 | 200 | 58 | 115.2 | 53426+U426 | 35.3 |
| | 265 | 4 | 635 | 2010 | 560 | 750 | 265 | 134 | 200 | 280 | 38 | 128 | 200 | 58 | 115.2 | 53426J+U426 | 34.6 |
| 150 | 250 | 2.1 | 430 | 1360 | 670 | 900 | 245 | 154 | 200 | 260 | 26 | 92 | 200 | 89.5 | 83.7 | 53330+U330 | 19.5 |
| | 250 | 2.1 | 430 | 1360 | 670 | 900 | 245 | 154 | 200 | 260 | 26 | 92 | 200 | 89.5 | 83.7 | 53330J+U330 | 18.0 |
| | 250 | 2.1 | 430 | 1360 | 670 | 900 | 245 | 154 | 200 | 260 | 26 | 92 | 200 | 89.5 | 83.7 | 53330 | 15.1 |
| | 295 | 4 | 675 | 2240 | 500 | 670 | 295 | 154 | 225 | 310 | 41 | 140 | 225 | 69 | 125.9 | 53430+U430 | 44.1 |
| 220 | 297 | 2 | 365 | 1370 | 700 | 950 | 297 | 224 | 260 | 310 | 25 | 75 | 225 | 118 | 65.6 | 53244+U244 | 15.6 |
| 300 | 375 | 2.5 | 380 | 1680 | 400 | 500 | 375 | 300.3 | 340 | 385 | 17 | 75 | 320 | 202 | 70 | 18960 | 17.2 |
| 430 | 580 | 3.7 | 920 | 5150 | 300 | 4520 | 580 | 430.5 | 500 | 610 | 45 | 150 | 500 | 301.3 | 131.7 | 18786 | 129 |

双向推力球轴承 Two-way Thrust Ball Bearing



| 基本尺寸 Principal Dimensions (mm) | | | | | 基本额定负荷 Basic Load Ratings (kN) | | 极限转速 Limit Speed (r/min) | | 其他尺寸 Other Dimensions (mm) | | 现代号 New code | 重量 Mass (kg) |
|--------------------------------------|-----|-----|--------------------|--------------------|--------------------------------------|-----------------|--------------------------------|------|----------------------------------|----|-----------------|--------------------|
| d | D | H | r _{12min} | r _{34min} | C _a | C _{oa} | Grease | Oil | D1 | B | | |
| 25 | 52 | 29 | 0.6 | 0.3 | 27.3 | 50.0 | 4800 | 6700 | 32 | 7 | 52206 | 0.261 |
| 30 | 62 | 34 | 1 | 0.3 | 37.0 | 73.0 | 4800 | 6000 | 37 | 8 | 52207 | 0.354 |
| | 68 | 44 | 1 | 0.3 | 88.5 | 148 | 3400 | 4800 | 37 | 10 | 52307 | 0.674 |
| | 68 | 36 | 1 | 0.6 | 47 | 102.0 | 4800 | 6000 | 42 | 9 | 52208 | 0.496 |
| 35 | 73 | 37 | 1 | 0.6 | 48.0 | 85.0 | 4000 | 5300 | 47 | 9 | 52209 | 0.623 |
| 40 | 78 | 39 | 1 | 0.6 | 54.5 | 114.0 | 4000 | 5300 | 52 | 9 | 52210 | 0.722 |
| | 90 | 45 | 1 | 0.6 | 69.0 | 143.0 | 3800 | 5000 | 57 | 10 | 52211 | 1.06 |
| 45 | 120 | 87 | 1.5 | 0.6 | 191 | 385 | 1800 | 2400 | 57 | 20 | 52411 | 4.87 |
| | 95 | 46 | 1 | 0.6 | 74.0 | 147.0 | 3800 | 5000 | 62 | 10 | 52212 | 1.25 |
| 55 | 100 | 47 | 1 | 0.6 | 75.5 | 160 | 3800 | 4800 | 67 | 10 | 52213 | 1.29 |
| | 105 | 47 | 1 | 1 | 76.5 | 170 | 3800 | 4800 | 72 | 0 | 52214 | 1.37 |
| | 125 | 72 | 1.1 | 1 | 148 | 315 | 1900 | 2600 | 72 | 16 | 52314 | 3.65 |
| | 150 | 10 | 2 | 1 | 257 | 539 | 1400 | 2000 | 73 | 24 | 52414 | 9.15 |
| 65 | 115 | 48 | 1 | 1 | 87.1 | 204 | 3200 | 4300 | 82 | 10 | 52216 | 1.73 |
| | 180 | 128 | 1.1 | 1.1 | 545 | 1070 | 900 | 1300 | 88 | 29 | 52417 | 16.0 |
| 70 | 125 | 55 | 1 | 1 | 112 | 270 | 3200 | 4300 | 88 | 12 | 52217 | 2.17 |
| 75 | 135 | 62 | 1.1 | 1 | 133 | 320 | 2000 | 2800 | 93 | 14 | 52218 | 3.11 |
| 80 | 210 | 150 | 3 | 1.1 | 730 | 1550 | 750 | 1000 | 103 | 33 | 52420 | 25.3 |

双向推力球轴承 Two-way Thrust Ball Bearing



| 基本尺寸 Principal Dimensions (mm) | | | | | 基本额定负荷 Basic Load Ratings (kN) | | 极限转速 Limit Speed (r/min) | | 其他尺寸 Other Dimensions (mm) | | 现代号 New code | 重量 Mass (kg) |
|--------------------------------------|-----|-----|--------------------|--------------------|--------------------------------------|-----------------|--------------------------------|------|----------------------------------|----|-----------------|--------------------|
| d | D | H | r _{12min} | r _{34min} | C _a | C _{oa} | Grease | Oil | D1 | B | | |
| 85 | 150 | 67 | 1.1 | 1 | 163 | 340 | 1800 | 2400 | 103 | 15 | 52220 | 4.05 |
| | 170 | 97 | 1.5 | 1 | 276 | 595 | 1400 | 1900 | 103 | 21 | 52320 | 8.81 |
| 90 | 230 | 165 | 3 | 1.1 | 377 | 900 | 700 | 950 | 113 | 37 | 53422 | 32.4 |
| 95 | 160 | 67 | 1.1 | 1 | 170 | 395 | 1700 | 2400 | 113 | 15 | 52222 | 4.51 |
| | 190 | 110 | 2 | 0.6 | 305 | 590 | 950 | 1400 | 113 | 24 | 52322 | 10.4 |
| 100 | 210 | 123 | 2.1 | 1.1 | 565 | 1420 | 850 | 1200 | 123 | 21 | 52324J | 17.3 |
| 110 | 190 | 80 | 1.5 | 1.1 | 230 | 575 | 1400 | 2000 | 133 | 18 | 52226 | 8.00 |
| | 300 | 209 | 4 | 2 | 518 | 1479 | 560 | 670 | 143 | 46 | 53430 | 70.3 |
| 130 | 215 | 89 | 1.5 | 1.1 | 425 | 1300 | 950 | 1400 | 153 | 20 | 52230 | 10.3 |
| | 250 | 140 | 2.1 | 2.1 | 430 | 1021 | 560 | 670 | 154 | 31 | 52330 | 31.2 |
| | 250 | 140 | 2.1 | 2.1 | 430 | 1021 | 560 | 670 | 154 | 31 | 52330J | 29.4 |
| 140 | 225 | 90 | 1.5 | 1.1 | 430 | 1380 | 950 | 1400 | 163 | 20 | 52232 | 11.5 |
| | 300 | 165 | 3 | 2 | 835 | 2780 | 520 | 800 | 183 | 37 | 52336 | 18.8 |
| 150 | 250 | 98 | 1.5 | 2 | 760 | 3300 | 800 | 1100 | 183 | 21 | 52236 | 15.6 |
| | 300 | 165 | 3 | 2 | 835 | 2780 | 520 | 800 | 184 | 37 | 52336 | 18.8 |
| 160 | 270 | 109 | 2 | 2 | 920 | 4080 | 750 | 1000 | 194 | 24 | 52238 | 21.4 |
| 170 | 280 | 209 | 2 | 2 | 910 | 4110 | 700 | 950 | 204 | 24 | 52240 | 22.1 |
| 300 | 400 | 80 | 1.8 | 1.8 | 430 | 3240 | 300 | 480 | 340 | 18 | 38768 | 21.1 |
| 570 | 700 | 90 | 3 | 1.3 | 292 | 2150 | 250 | 350 | 6152 | 20 | 387/615 | 53.7 |

推力调心滚子轴承 Thrust spherical roller bearing



推力调心滚子轴承不仅能承受较大的轴向载荷，还具有一定的自动调心能力，适用于轴与轴承座之间存在对中误差的应用场合。这种轴承能够补偿由于安装误差或轴挠曲引起的角度偏差，常见于重载机械、海洋工程设备和矿山机械中。

Thrust spherical roller bearings can not only withstand large axial loads, but also have a certain degree of self-aligning ability for applications where there is a centering error between the shaft and the housing. These bearings are able to compensate for angular misalignment caused by mounting errors or shaft deflection, and are commonly used in heavy-duty machinery, marine engineering equipment and mining machinery.