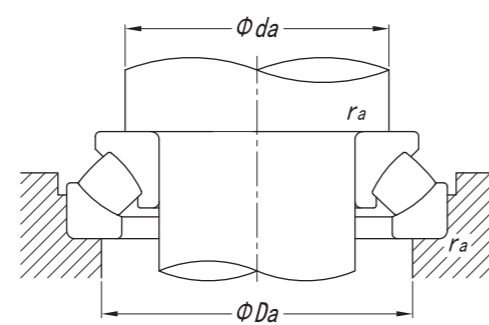
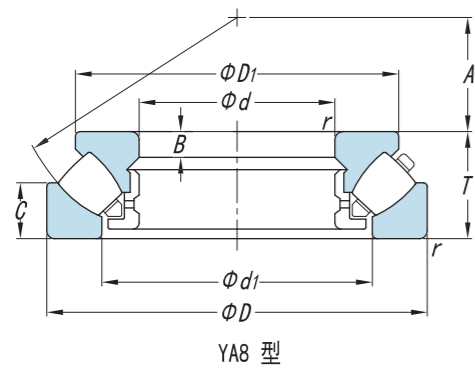
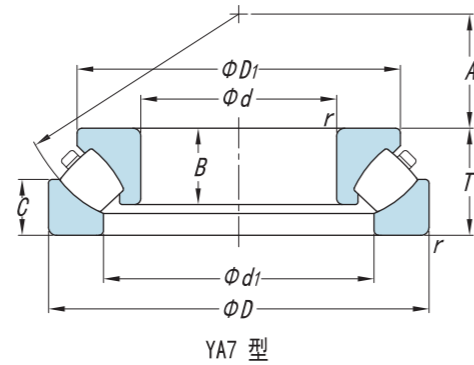
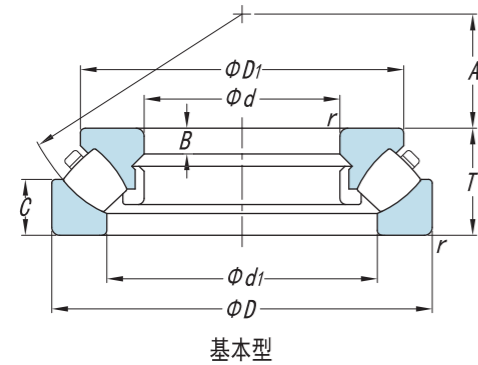
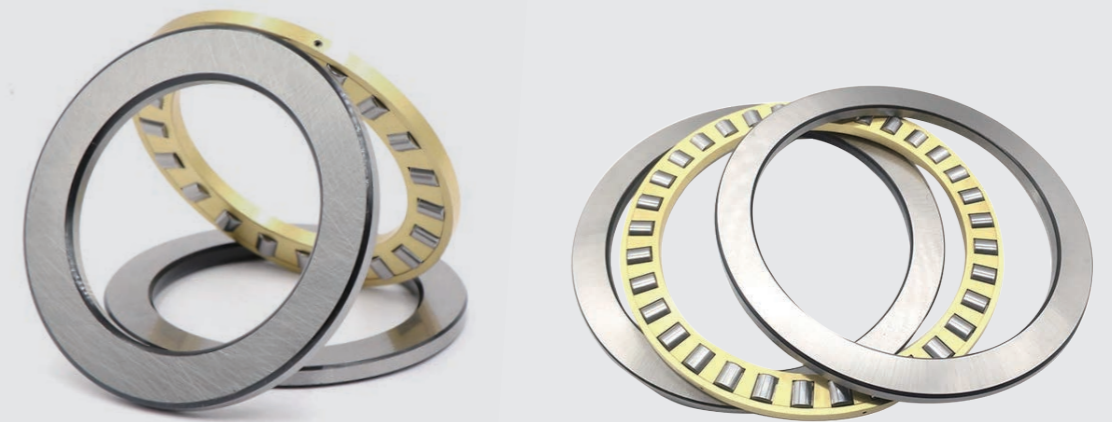


推力调心滚子轴承 Thrust spherical roller bearing

非对称滚子型 Asymmetric Roller Type



推力圆柱滚子轴承 Thrust Cylindrical Roller Bearing



推力圆柱滚子轴承设计用于承受高轴向载荷，特别适合需要高承载能力和刚性的场合。这种轴承由于其滚子的接触面积大、应力分布均匀，能够在高负荷和低速运转的条件下保持稳定。它们广泛应用于重型机械设备、冶金设备和挤压机械等要求苛刻的工业环境中。

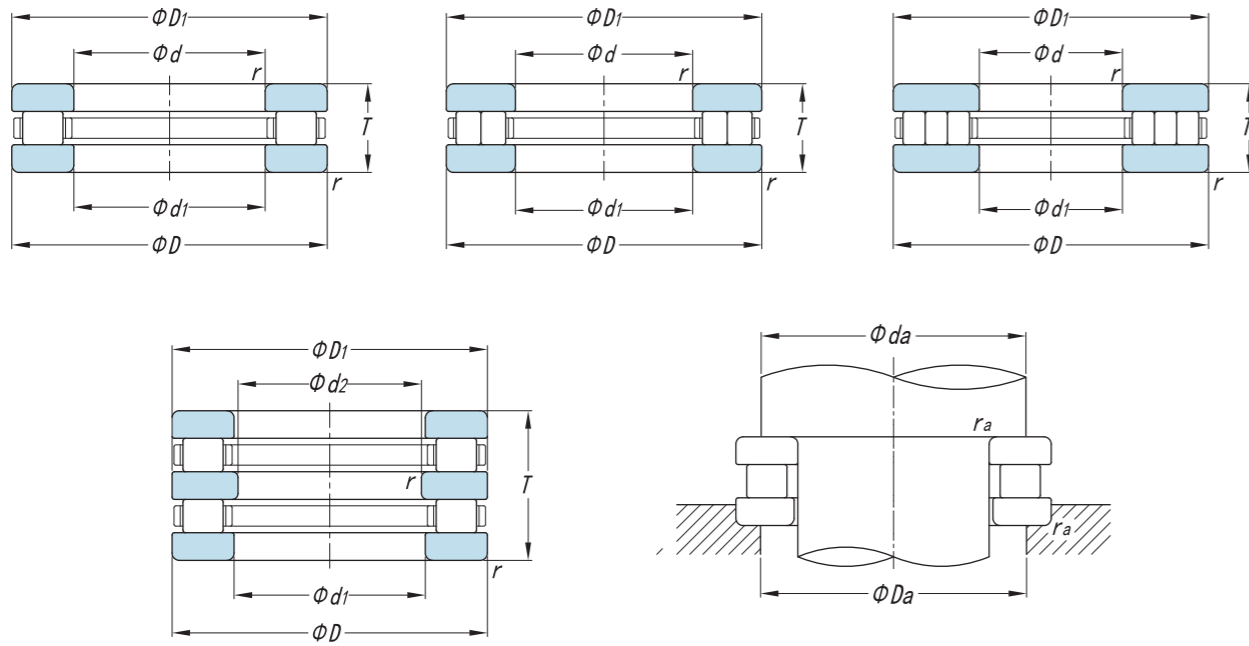
Thrust cylindrical roller bearings are designed to carry high axial loads and are particularly suitable for applications requiring high load carrying capacity and rigidity. These bearings are able to maintain stability under high loads and low speeds due to the large contact area of their rollers and uniform stress distribution. They are widely used in demanding industrial environments such as heavy mechanical equipment, metallurgical equipment and extrusion machinery.

基本尺寸 Principal Dimensions (mm)			基本额定负荷 Basic Load Ratings (kN)		极限转速 Limit Speed (r/min)		其他尺寸 Other Dimensions (mm)						现代号 New code	重量 Mass (kg)
d	D	T	C _a	C _{0a}	Grease	Oil	d ₁	D ₁	B	C	A	r _{min}		
420	580	95	1870	4150	-	560	489	548	62	46	251	4.7	29284/YAD	78.9
500	750	150	2300	7800	-	450	610	696	99.6	70.5	280	6	292/500/YAD	226
630	850	132	3250	8350	-	300	728	800	88	65	338	6	292/630/YAD	231
710	950	145	3600	12000	-	240	805	865	92	75	380	6	292/710/YAD	279
750	1280	315	13500	31000	-	100	972	1152	160	158	448	15	294/750/YAD	1340

推力圆柱滚子轴承

Thrust Cylindrical Roller Bearing

推力球轴承
Thrust Ball Bearing



基本尺寸 Principal Dimensions (mm)			基本额定负荷 Basic Load Ratings (kN)		极限转速 Limit Speed (r/min)		其他尺寸 Other Dimensions (mm)			现代号 New code	重量 Mass (kg)
d	D	T	C _r	C _{or}	Grease	Oil	d ₁	D ₁	r _{min}		
110	160	38	264	878	900	1300	113	160	1.1	81222	2.80
120	155	25	154	653	950	1400	120.2	155	1.1	81124	1.24
200	250	37	325	1530	530	700	203	247	1.1	81140	43.60
300	420	95	1540	6910	190	250	304	415	3	81260	41.6
360	440	65	900	4030	180	270	364	436	2	81172	22.7
440	540	80	1430	1680	170	230	444	535	2.1	81188	41.5
500	670	135	3520	3600	140	190	505	665	5	812/500	137
900	1180	125	6050	8300	100	130	905	1175	7.5	872/900ZWF1/HC	393
1180	1400	100	4730	7200	87	110	1185	1395	6	871/1180ZW/HC	308